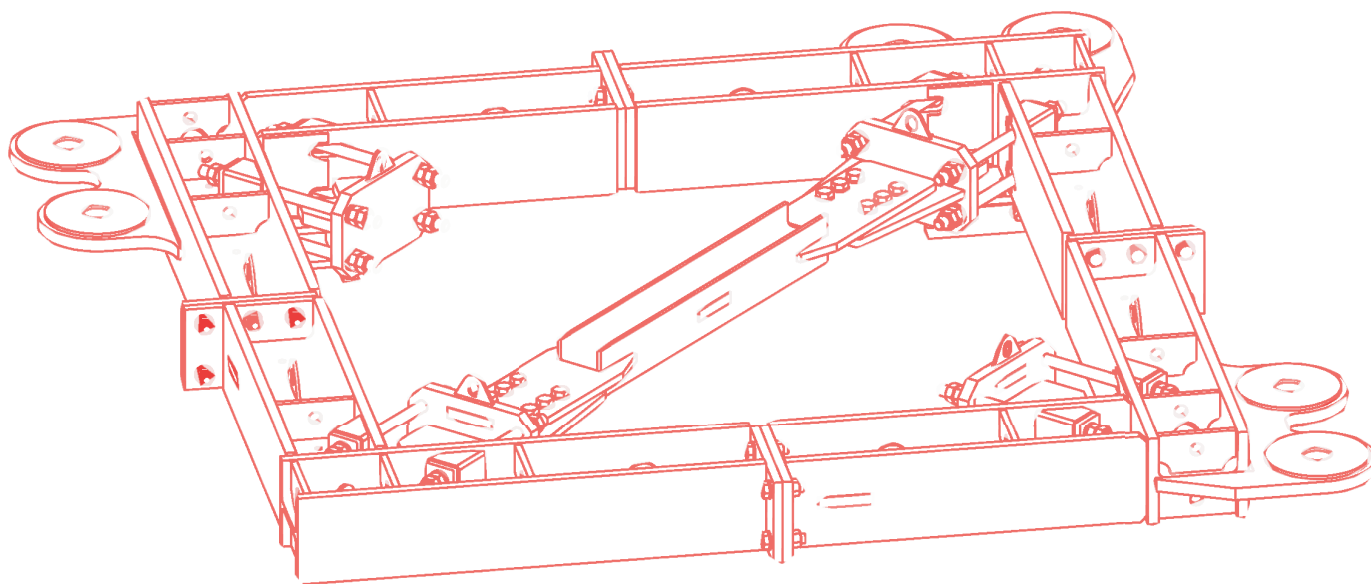


# WOLFFKRAN

System component

WOLFF Bracing frame

Technical informations



English

English

WOLFF Bracing frame



*Published by*

**WOLFFKRAN GmbH**

Austraße 72

74076 Heilbronn

Germany

Phone +49 7131 9815 0

Fax +49 7131 9815 355

[www.wolffkran.com](http://www.wolffkran.com)

[info@wolffkran.de](mailto:info@wolffkran.de)

#### Copyright

This documentation including all of its subsections is protected by copyright laws.

Any type of use or modification outside of the stringent limits of the copyright laws without permission of WOLFFKRAN GmbH is prohibited and subject to penalties.

This applies particularly for copying, translation, microfilming and storage and processing in electronic systems.

At the time of printing, the information, data, illustrations and notes comprised in this manual were up-to-date.

Subject to change of design, error and typos.

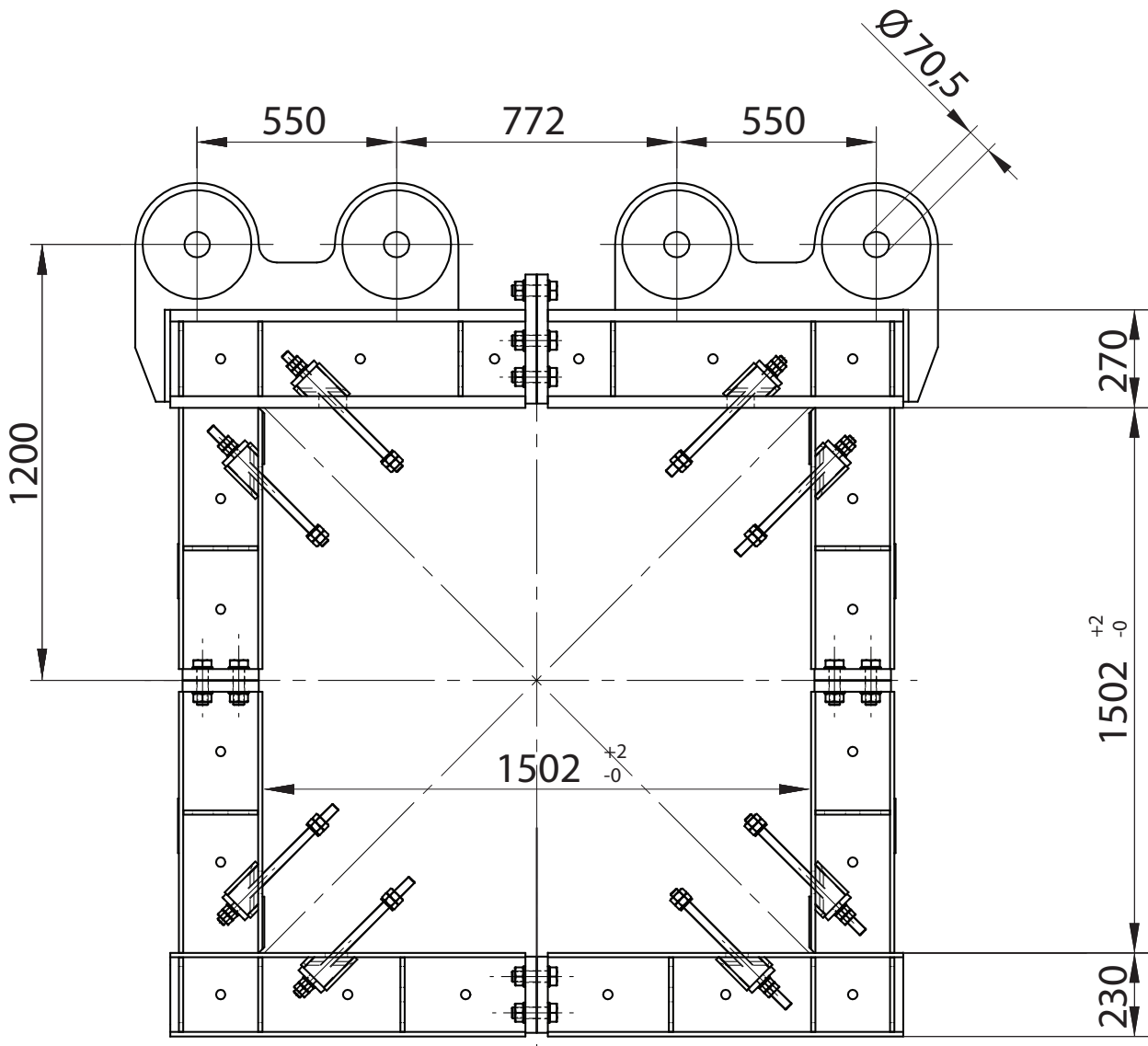
Stand: 06/2013

## Table of contents

1	Technical information ASR 15	5
2	Technical information ASR 15/20	6
3	Technical informations ASRM 20	7
4	Technical information ASR 23	9
5	Technical information ASRM 23	10
6	Technical information ASR 25	12
7	Technical information ASR 29	13
8	Technical information ASRV 20	14



## 1 Technical information ASR 15



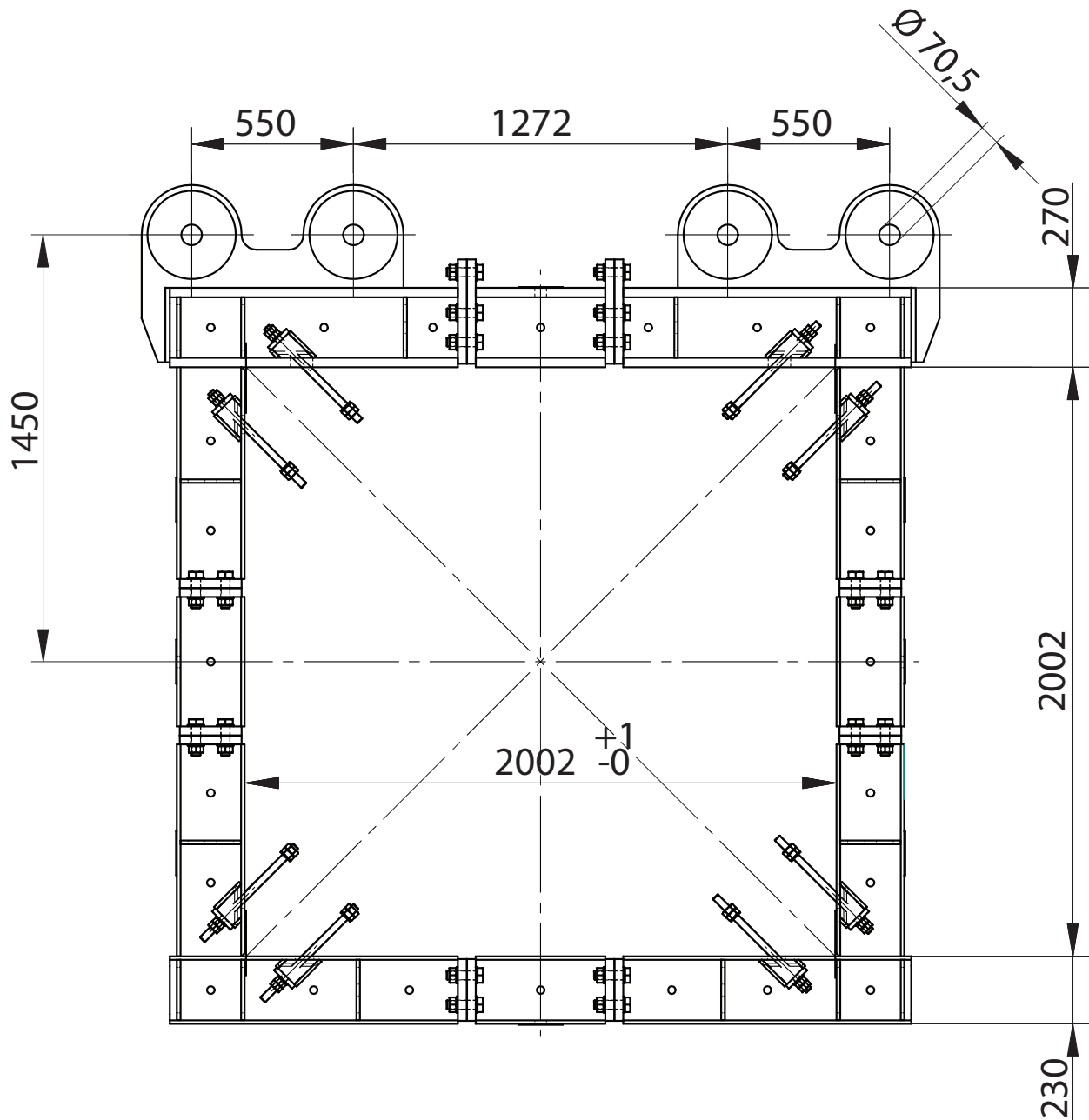
The ASR 15 can only be used for the TFSA15/ TFS15/ UV15/ UVA 15 tower elements.

Weight of the bracing frame

1190 kg

The bracing frame ASR 15 represents an independent module for applications with a WOLFF slewing tower crane system.

## 2 Technical information ASR 15/20

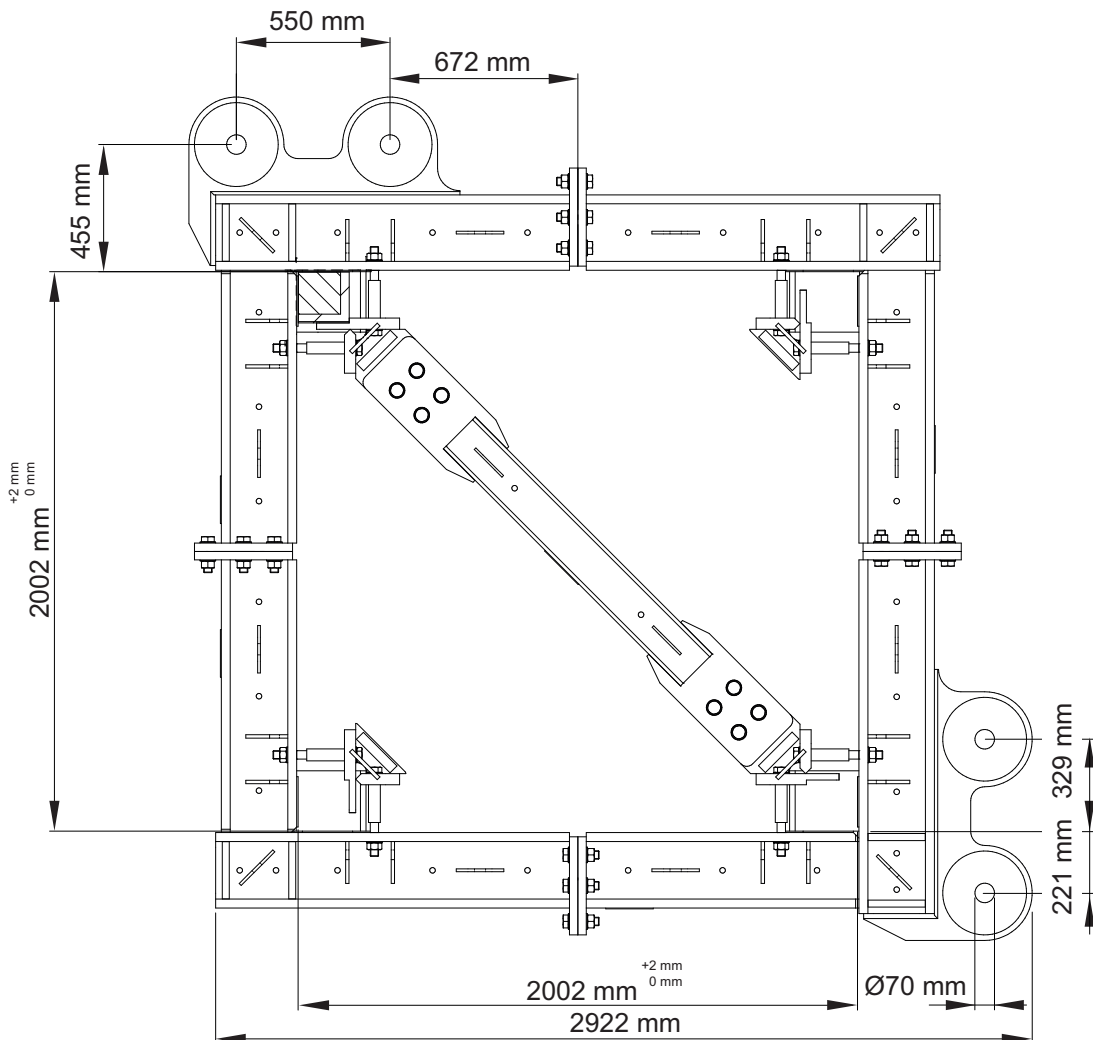


The ASR 15/20 can only be used for the TFS20/ TV20/ TVA20/ UV20/ UVA 20 tower elements.		
Weight of the bracing frame		1487 kg

The bracing frame ASR 15/20 represents an independent module for applications with a WOLFF slewing tower crane system.

## 3 Technical informations ASRM 20

### Technical data ASR2M 20

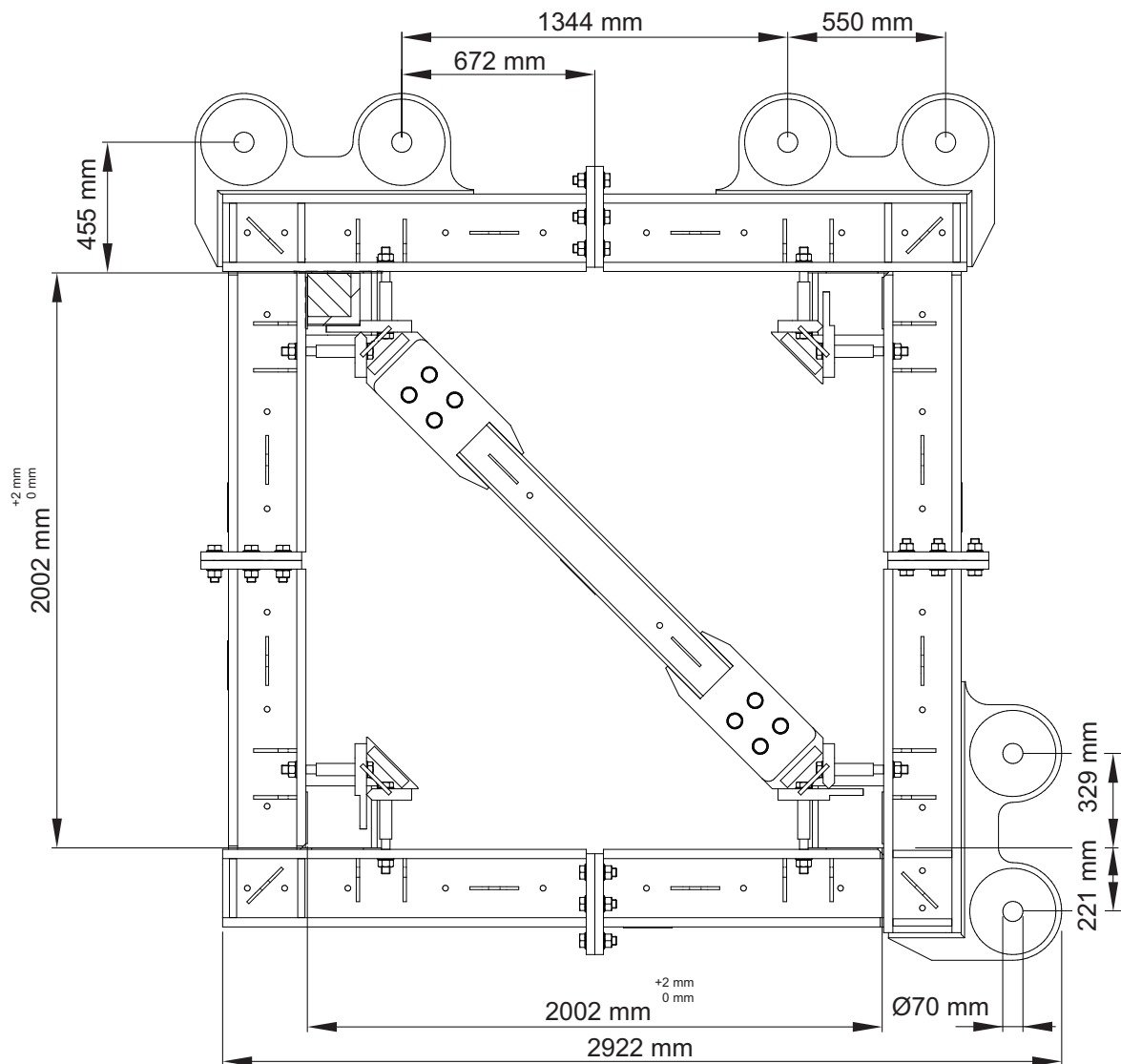


Weight ASR2M 20	2455 kg
-----------------	---------

The bracing frame ASR2M 20 represents an independent module for applications with a WOLFF slewing tower crane system.

When slewing tower cranes are used in the construction of high buildings, they must be braced from a certain hook height, depending on the building size.

### Technical data ASR3M 20



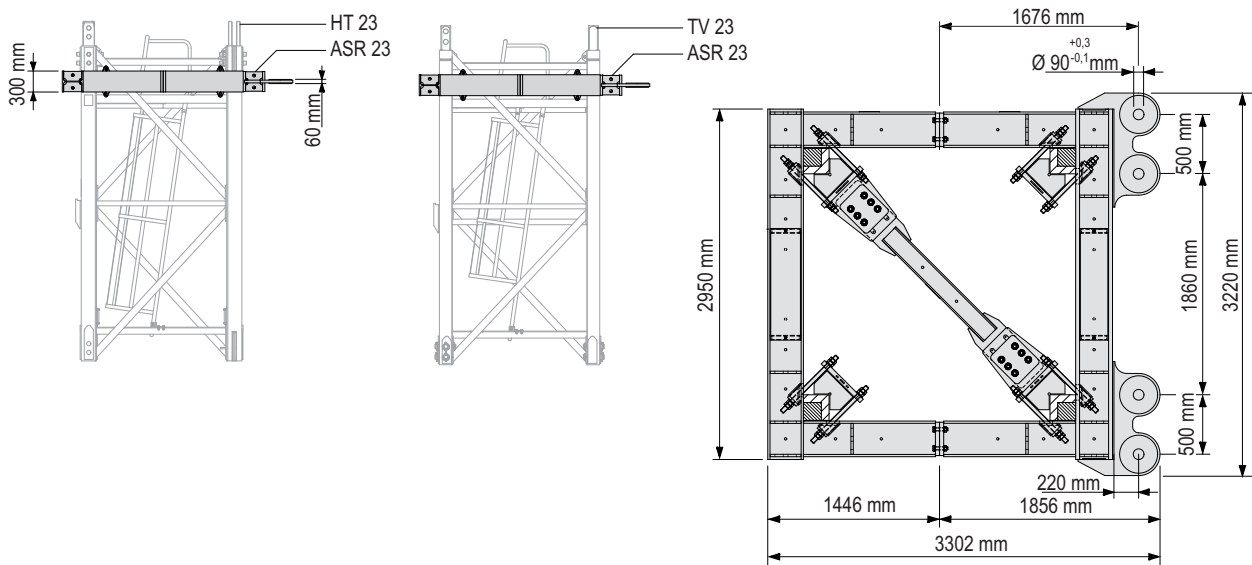
Weight ASR3M 20	2555 kg
-----------------	---------

The bracing frame ASR2M 20 represents an independent module for applications with a WOLFF slewing tower crane system.

When slewing tower cranes are used in the construction of high buildings, they must be braced from a certain hook height, depending on the building size.



## 4 Technical information ASR 23



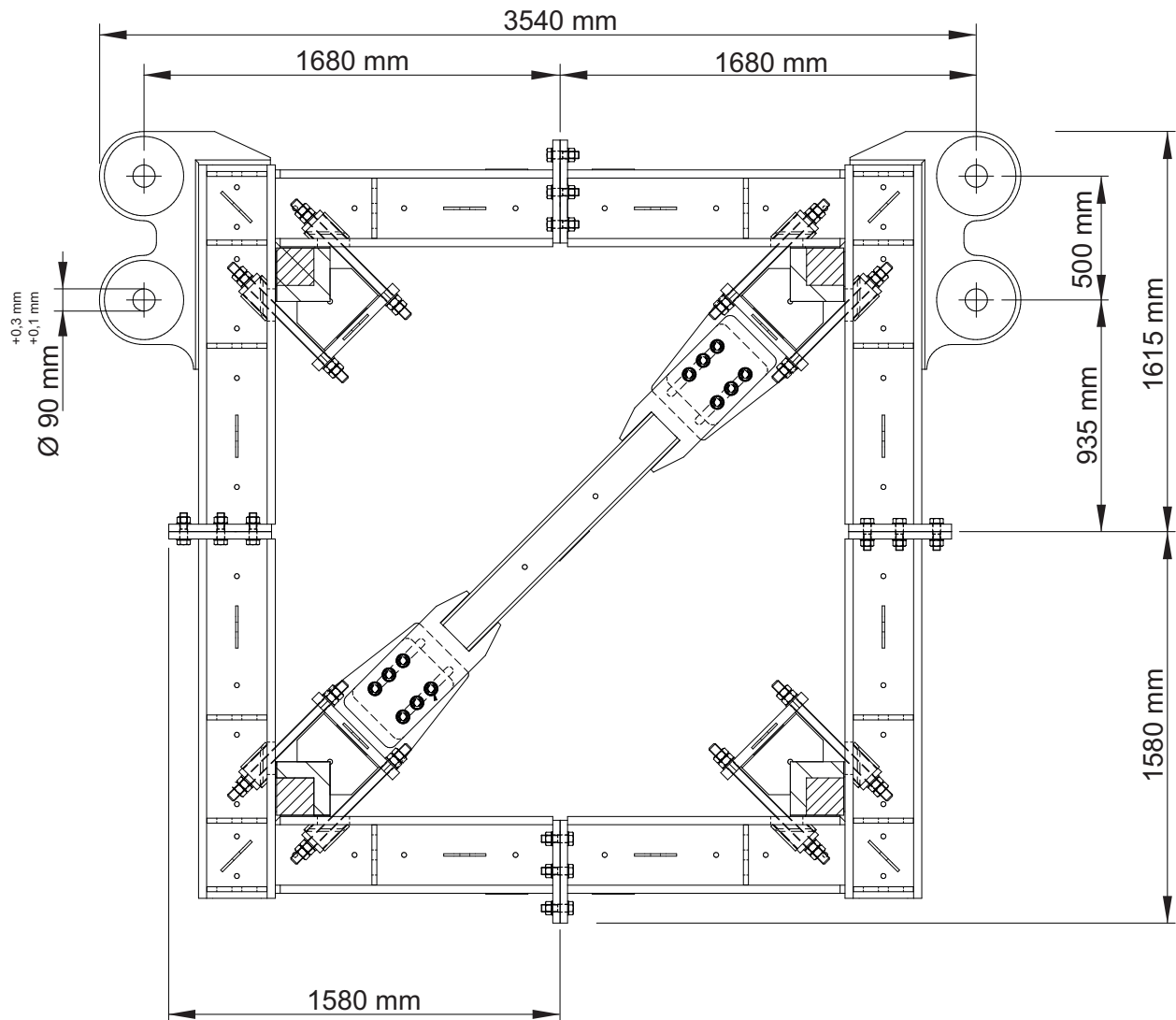
The ASR 23 can only be used for the HT 23 tower element.

Weight of the bracing frame	2535 kg
-----------------------------	---------

The bracing frame ASR 23 represents an independent module for applications with a WOLFF slewing tower crane system.

## 5 Technical information ASRM 23

### Technical data ASR2M 23

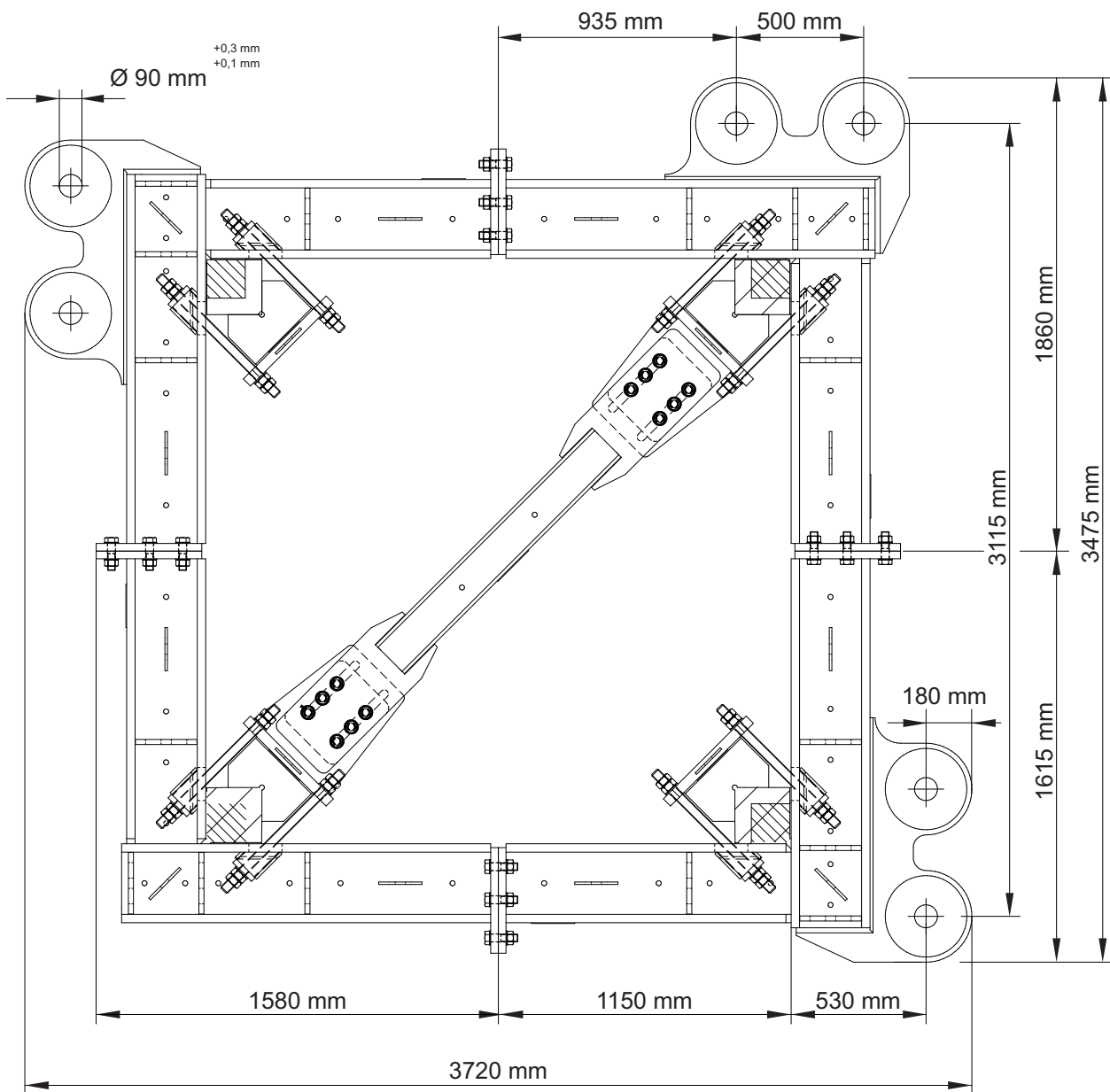


Weight ASR2M 23, complete	3250 kg
---------------------------	---------

The bracing frame ASR2M 23 represents an independent module for applications with a WOLFF slewing tower crane system.

When slewing tower cranes are used in the construction of high buildings, they must be braced from a certain hook height, depending on the building size.

## Technical data ASR3M 23



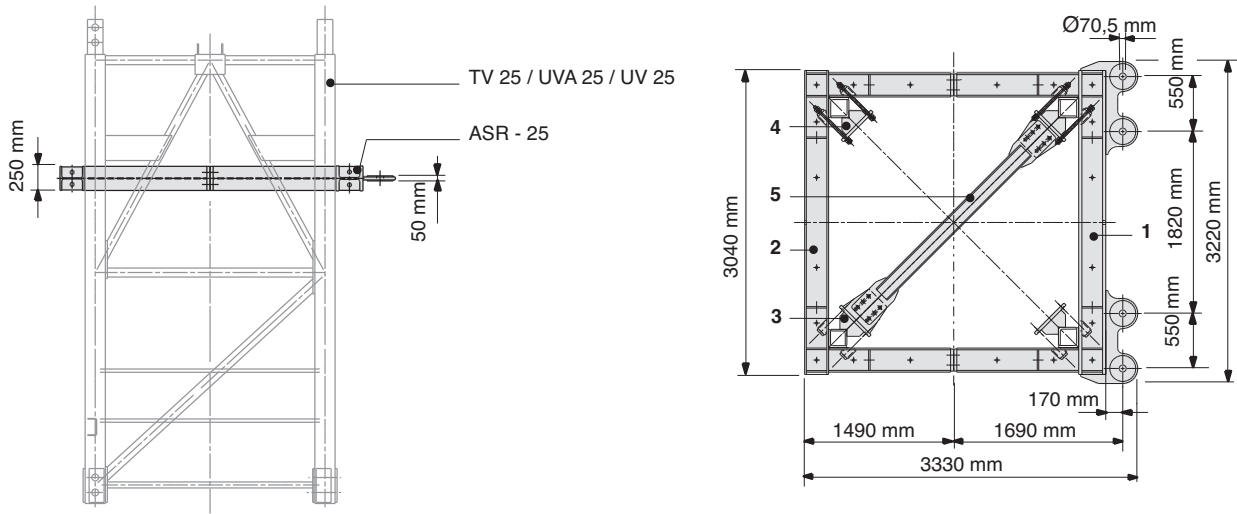
Weight ASR3M 23, complete

3425 kg

The bracing frame ASR3M 23 represents an independent module for applications with a WOLFF slewing tower crane system.

When slewing tower cranes are used in the construction of high buildings, they must be braced from a certain hook height, depending on the building size.

## 6 Technical information ASR 25

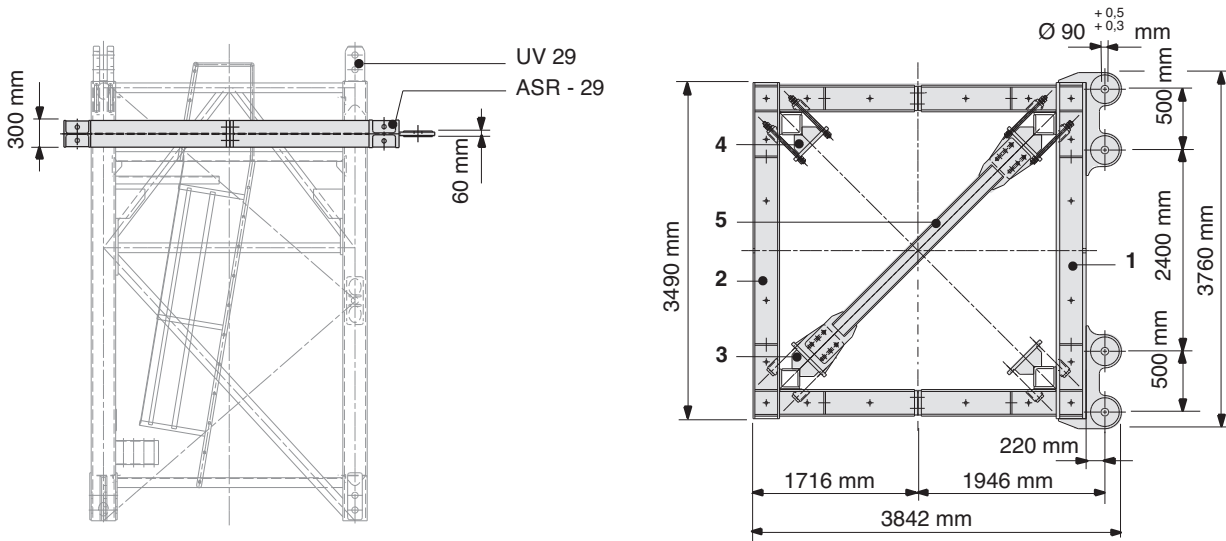


The ASR 25 can only be used for the TV25/ UVA25/ UV25/ tower elements.

Weight of the bracing frame	1860 kg
-----------------------------	---------

The bracing frame ASR 25 represents an independent module for applications with a WOLFF slewing tower crane system.

## 7 Technical information ASR 29



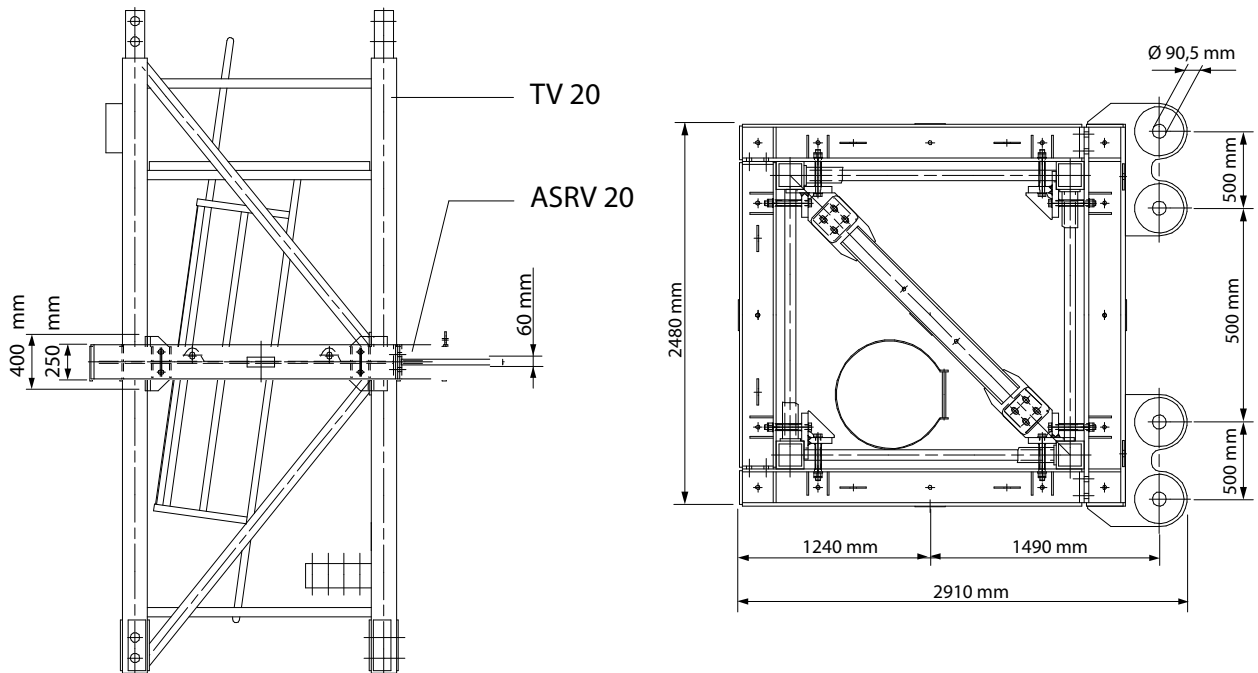
The ASR 29 can only be used for the UV 29 tower element.

Weight of the bracing frame

2985 kg

The bracing frame ASR 29 represents an independent module for applications with a WOLFF slewing tower crane system.

## 8 Technical information ASRV 20



Bracing frame ASRV 20

The ASRV 20 can only be used for the TV 20 tower element.		
	Weight of the bracing frame	1820 kg

The bracing frame ASRV 20 represents an independent module for applications with a WOLFF slewing tower crane system.



**WOLFFKRAN Group**

*Headquarter international:*

**WOLFFKRAN AG**

Baarermattstraße 6

CH-6300 Zug

Switzerland

Phone +41 41 766 85 00

Fax +41 41 766 85 99

[info@wolffkran.com](mailto:info@wolffkran.com)

*Manufacturing:*

**WOLFFKRAN GmbH**

Austraße 72

D-74076 Heilbronn

Germany

Phone + 49 7131 9815 0

Fax + 49 7131 9815 355

[info@wolffkran.de](mailto:info@wolffkran.de)

**WOLFFKRAN Werk Brandenburg GmbH**

Frederik-Ipsen-Straße 5

D-15926 Luckau OT Alverno

Germany

Phone + 49 35456 674 0

Fax + 49 35456 674 200

[info@wolffkran.de](mailto:info@wolffkran.de)